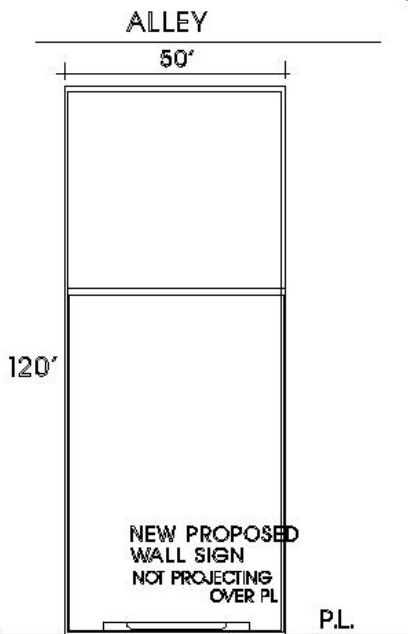
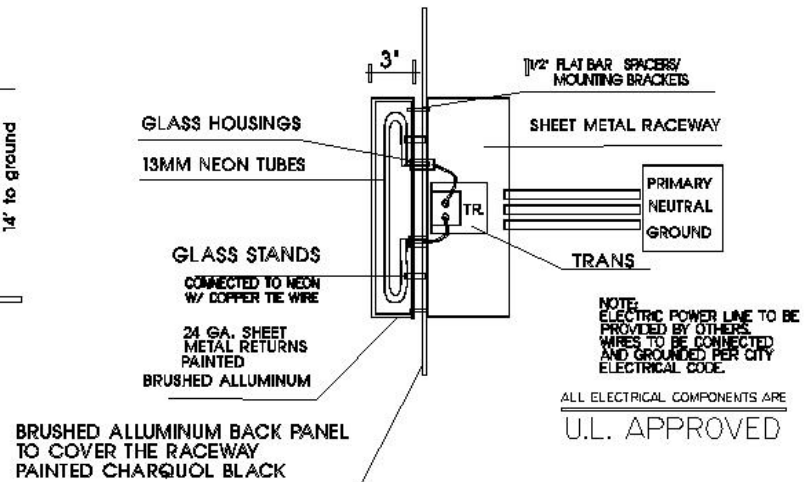


Total Sign Background Area is 156sq.ft.  
Total Sign Area is 60 Sq.ft.



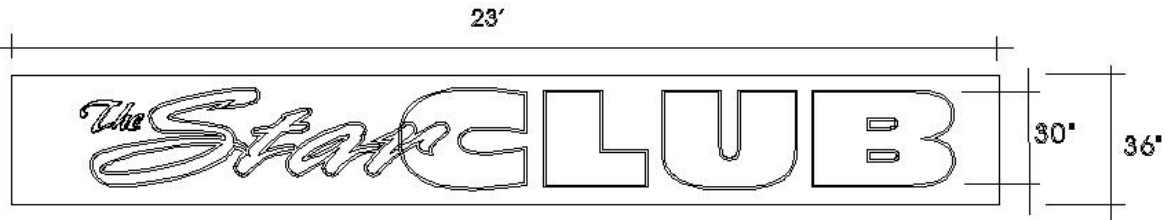
4031 SEPULVEDA BLVD.

**REVERSE CHANNEL LETTERS  
ATTACHMENT METHOD**



NOTE:  
ELECTRIC POWER LINE TO BE  
PROVIDED BY OTHERS.  
WIRES TO BE CONNECTED  
AND GROUNDED PER CITY  
ELECTRICAL CODE.

ALL ELECTRICAL COMPONENTS ARE  
U.L. APPROVED



BRUSHED ALLUMINUM PAINTED  
REVERSE CHANNEL LETTERS ON RACEWAY  
USED; 13MM. TURQUOISE NEON TUBES  
CHARQUOL BLACK PAINTED SHEET METAL RACEWAY



JOB NAME: <b>The Star CLUB</b>
4031 SEPULVEDA BLVD. CULVER CITY CA.